

LTC-4RDWPH

LITEISTRY 4" ROUND CYLINDER WITH POWERHUBB™

LITEISTRY™

FEATURES

- 4" architectural LED downlight and wall wash cylinder delivering 600–2000 lm
- Five beam distributions from 0.3 to 1.2 Spacing Criteria
- Quiet reflector appearance with 50° optical cutoff
- 2700K–5000K, 80+ and 90+ CRI options
- Available in Surface, Wall, Pendant, or Cable/Cord Mount configurations
- Versatile canopy options for recessed and surface-mounted J-box applications
- PowerHUBB™ enables low-voltage wired connectivity for Power over Ethernet (PoE) network system deployment



(Select Models)

RELATED PRODUCTS

Ø 3" LITEISTRY Family

Ø 4" LITEISTRY Family

Ø 6" LITEISTRY Family

CONTROL TECHNOLOGY



SPECIFICATIONS

CONSTRUCTION

- Seamless heavy gauge aluminum cylinder body with a clean appearance
- Available in Surface (S), Wall (W), Pendant (P), or Cable/Cord (CM) mounting types
- Canopy options include Conduit Canopy (CC), Power Canopy (PC), Power Conduit Canopy (PCC), or Recessed Mount Driver (RMD), (See Dimensions section for details)
- For S, P, or CM mounting with PCC canopy options, use 4" octagonal junction box (by others)
- All Wall Mount: Die cast aluminum mounting arm allows direct mounting to standard 4" octagonal or square junction box
- Pendant Mount canopy options allow sloped ceiling up to 35° (5° for RMD)
- Select from 4 standard architectural painted finishes, Brushed Aluminum, or specified custom color

OPTICS

- Visually pleasing 50° cutoff to source and source image
- The light distribution is free of distracting bright spots or pixelation and the perimeter has a smooth transition
- Optical grade silicone lens integral to light engine
- High purity spun aluminum reflector, self-flanged
- Large selection of anodized finishes and colors

OPTICS (CONTINUED)

- Painted cones and flange options available

ELECTRICAL

- Chip-on-board (COB) LED with 2 SDCM
- Multiple CCTs, 80+ or 90+ CRI
- Long LED life: L90 at >55,000 (TM-21)
- PowerHUBB™ enables low-voltage wired connectivity for Power over Ethernet (PoE) network system deployment
- EMI Filtering (FCC 47 CFR Part 15) Class A

INSTALLATION

- Light Engine/Trim assembly is mechanically secured with torsion springs for ease of installation
- A quick connect is provided for easy maintenance or upgrade
- Recessed Mount Driver (RMD) is accessible from above or below ceiling; assembly mounts with 1/4-20 threaded rod (by others) and requires 6" plenum clearance
- Conduit Canopy options (CC or PCC) allow field selectable conduit entry (up to 4@ 90°) (See Dimensions section)
- Conduit Canopies utilize a patent pending mounting yoke to secure cylinder to the ceiling surface
- Cable/Cord can be cut in the field to custom length
- Standard and Custom Pendant lengths available (specify when ordering)

CERTIFICATIONS

- cCSAus certified to UL 2108
- Wall Mount (except CC): Suitable for wet locations
- Pendant Mount (except PCC): Suitable for wet locations under covered ceiling
- Surface, Cable/Cord Mount, all CC and PCC and all Wall Wash: Suitable for damp locations
- This product qualifies as a "designated country construction material" per FAR 52.225-11 Buy American-Construction. Materials under Trade Agreements effective 6/6/2020. See [Buy American Solutions](#).

WARRANTY

- 5 year warranty
- See [HLI Standard Warranty](#) for additional information

KEY DATA	
Lumen Range	600-2000
Wattage Range	8-23
Efficacy Range (LPW)	90-99*
Reported Life (Hours)	L90 / >55,000
Input Current (mA)	N/A

*Based on Specular, 35K, 80 CRI



LTC-4RDWPH

LITEISTRY 4" ROUND CYLINDER WITH POWERHUBB™

DATE: _____ LOCATION: _____

TYPE: _____ PROJECT: _____

CATALOG #: _____

ORDERING GUIDE

Example: LTC-4RDPH-CM15WHPCC-15L35K9WD-PMC-SS-WH

CATALOG # _____

LTC-4RDPH		Cylinder Mounting		Canopy Option		Lumen Output		CCT		CRI	
Aperture/Shape/Function		S	Surface	<i>Refer to chart on Page 3 for available canopy options based on driver/controls selection</i>		06L	600 Lumens ³	27K	2700K	8	80+ CRI
LTC-4RDPH	4" Round Downlight Cylinder	W	Wall			10L	1000 Lumens ³	30K	3000K	9	90+ CRI
LTC-4RWPH	4" Round Wall Wash Cylinder	P	Pendant (Standard)Nominal 18" length from cylinder top to ceiling ⁶	<i>Standard Canopy^{3,5}</i>		15L	1500 Lumens ³	35K	3500K		
		P_	Pendant (Custom) Specify length from cylinder top to ceiling in 1 inch increments from 15 to 60 ⁶	CC	Conduit Canopy ^{3,5}	20L	2000 Lumens ³	40K	4000K		
				PC	Power Canopy ^{3,5}			50K	5000K ¹		
				PCC	Power Conduit Canopy ^{3,5}						
				RMD	Recessed Mount Driver ^{3,5}						
		Cable/Cord⁴									
		CM	6ft Clear Cord								
		CMBL	6ft Black Cord								
		CMWH	6ft White Cord								
		CM15	15ft Clear Cord								
		CM15BL	15ft Black Cord								
		CM15WH	15ft White Cord								

Distribution		PowerHUBB Node		Reflector Finish		Reflector Color		Flange Color Options	
VNR	Very Narrow (0.3 SC/20°)	PM	PowerHUBB™, On/ Off/1% Dim, Master	<i>Finish not applicable with painted reflectors (WC or BC)</i>		<i>Standard Clear</i>		<i>Standard matches reflector color</i>	
NR	Narrow (0.4 SC/29°)	PMC	PowerHUBB™, On/ Off/1% Dim, Control	S	Specular	CG	Champagne Gold	WT	White Flange ²
MD	Medium (0.7 SC/44°)			SS	Semi-Specular	BL	Black	BT	Black Flange ²
WD	Wide (0.9 SC/61°)	PS	PowerHUBB™, On/ Off/1% Dim, Satellite	MFC	American Matte™	LW	Light Wheat		
XW	Extra Wide (1.2 SC/78°)			VS	Softglow®	PW	Pewter		
WW	Wall Wash	PSC	PowerHUBB™, On/ Off/1% Dim, Control	VSS	SoftSheen™	WC	Painted White Cone and Flange		
						BC	Painted Black Cone and Flange		

Exterior Cylinder Color	
BA	Brushed Aluminum ⁷
BZ	Bronze
BL	Matte Black
WH	Matte White
SVR	Silver
CC_	Custom Color (Specify RAL#, Example: CCRAL1073)
TCC_	True Custom Color (Specify description, Example: TCC BABY BLUE, Paint chip must be provided to match)

Notes:

- 1 5000K available in 80+ CRI only.
- 2 WT not needed for WC, BT not needed for BC.
- 3 For lumen outputs/configurations available, see chart on page 3.
- 4 Cable/Cord can be cut in the field to custom length.
- 5 See Dimensions section for canopy configuration details.
- 6 Stem length varies by canopy configuration. See Dimensions section for details.
- 7 Canopy color for Brushed Aluminum is Black.



LTC-4RDWPH

LITEISTRY 4" ROUND CYLINDER WITH POWERHUB™

DATE:	LOCATION:
TYPE:	PROJECT:
CATALOG #:	

DRIVER/CONTROL OPTION AVAILABILITY

Driver and Control options listed below are available in the configurations and lumen packages as shown.

Driver/Control Option		Cylinder Mounting ¹	Canopy Options ²	06L	10L	15L	20L
All PH	0-10V 5%	W	Standard/CC	●	●	●	●
		P/S/CM	PC/PCC/RMD	●	●	●	●

- 1 See Cylinder Mounting chart.
- 2 See Canopy Options chart and Dimensions section for details.
- 3 RMD is Non-IC rated unless noted.

Cylinder Mounting		Canopy Options	
S	Surface Mount	(Blank)	Standard Canopy
W	Wall Mount	CC	Conduit Canopy
P	Pendant Mount	PC	Power Canopy
CM	Cable/Cord Mount	PCC	Power Conduit Canopy
		RMD	Recessed Mount Driver/Node ³

PERFORMANCE DATA TABLE

Performance data provided below is for 3500K, 80 CRI with Specular Clear reflector finish/color

Lumen Package	Nominal Lumens	Distribution	Delivered Lumens	Watts	LPW
06L	600	Very Narrow	691	7.6	91
		Narrow	785	7.8	101
		Medium	726	7.8	93
		Wide	664	7.8	85
		Extra Wide	644	7.8	83
		Open Single Wall Wash	620	7.8	79
10L	1000	Very Narrow	1132	11.8	96
		Narrow	1255	12.0	105
		Medium	1160	12.0	97
		Wide	1062	12.0	89
		Extra Wide	1030	12.0	86
		Open Single Wall Wash	991	12.0	83
15L	1500	Very Narrow	1623	17.2	94
		Narrow	1795	18.6	97
		Medium	1660	18.6	89
		Wide	1519	18.6	82
		Extra Wide	1474	18.6	79
		Open Single Wall Wash	1418	18.6	76
20L	2000	Very Narrow	2032	22.4	91
		Narrow	2238	22.5	99
		Medium	2152	22.5	96
		Wide	2059	22.5	92
		Extra Wide	2028	22.5	90
		Open Single Wall Wash	1989	22.7	87

LTC-4RDWPH

LITEISTRY 4" ROUND CYLINDER WITH POWERHUB™

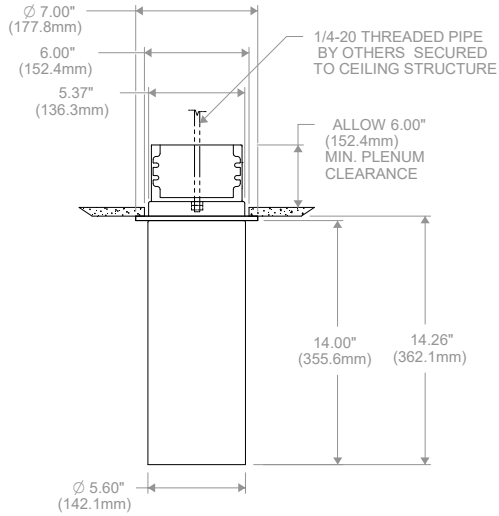
DATE: _____ LOCATION: _____

TYPE: _____ PROJECT: _____

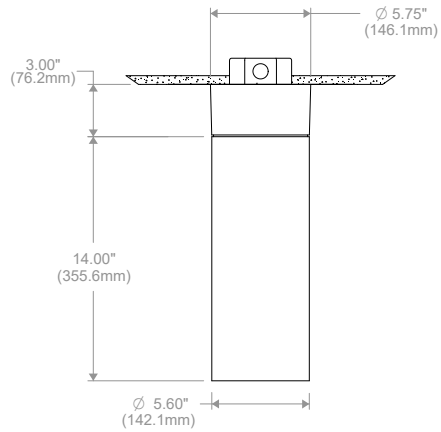
CATALOG #: _____

DIMENSIONS

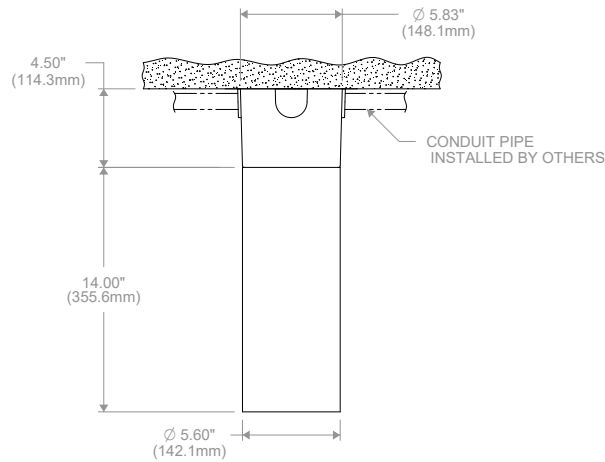
SURFACE (S)



**Surface
Recessed Mount Driver
SRMD**



**Surface
Power Canopy
SPC**



**Surface
Power Conduit Canopy
SPCC**

LTC-4RDWPH

LITEISTRY 4" ROUND CYLINDER WITH POWERHUB™

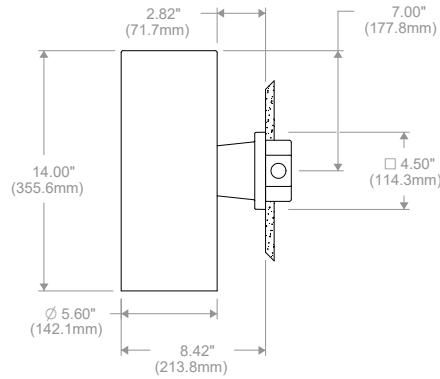
DATE: _____ LOCATION: _____

TYPE: _____ PROJECT: _____

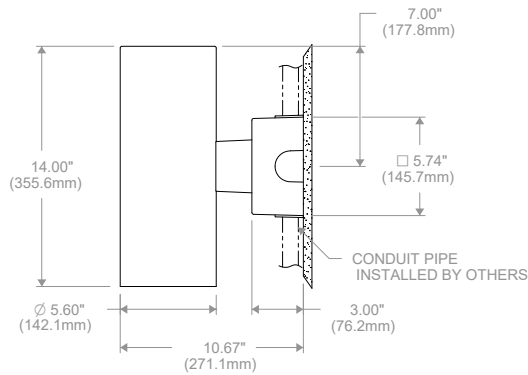
CATALOG #: _____

DIMENSIONS

WALL (W)



**Wall
(Standard Canopy)
W**



**Wall
Conduit Canopy
WCC**

LTC-4RDWPH

LITEISTRY 4" ROUND CYLINDER WITH POWERHUB™

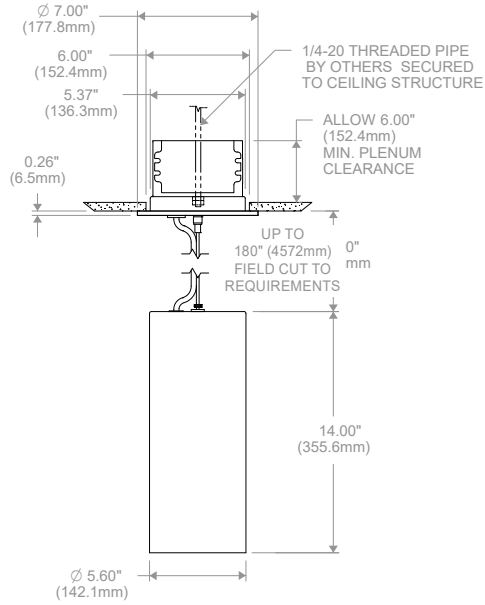
DATE: _____ LOCATION: _____

TYPE: _____ PROJECT: _____

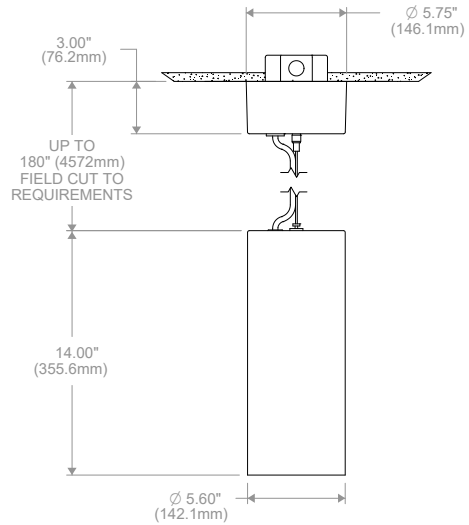
CATALOG #: _____

DIMENSIONS

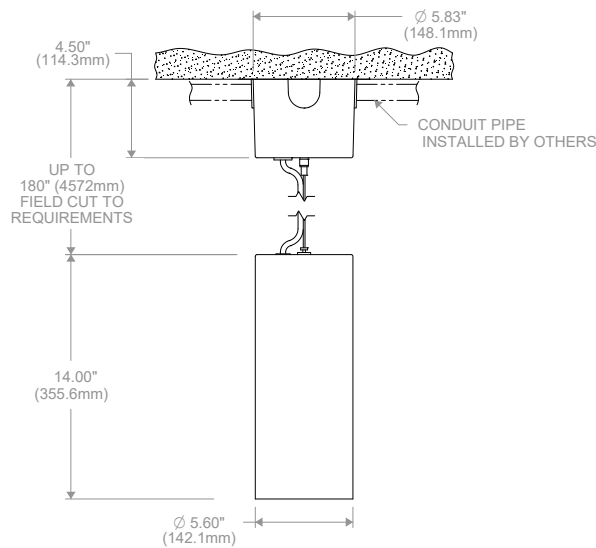
CABLE/CORD (CM)



**Cable/Cord
Recessed Mount Driver
CMRD**



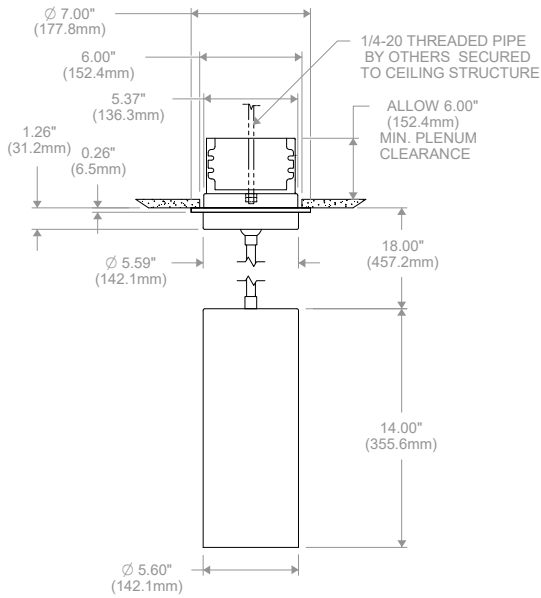
**Cable/Cord
Power Canopy
CMPC**



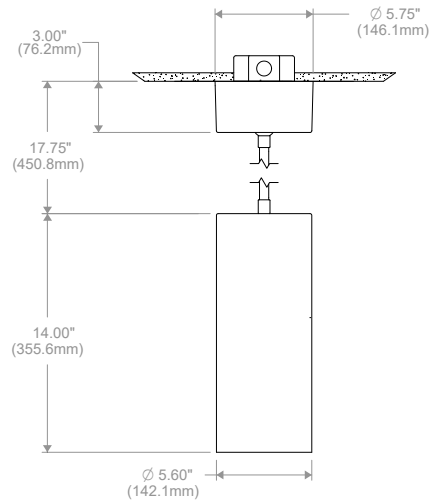
**Cable/Cord
Power Conduit Canopy
CMPCC**

DIMENSIONS

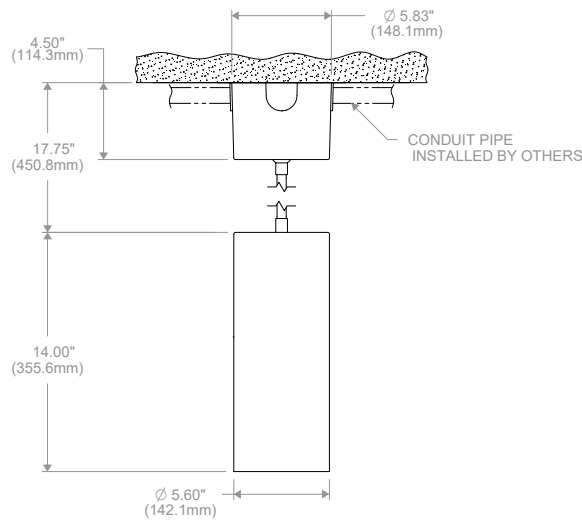
PENDANT (P)



Pendant Recessed Mount Driver PRMD



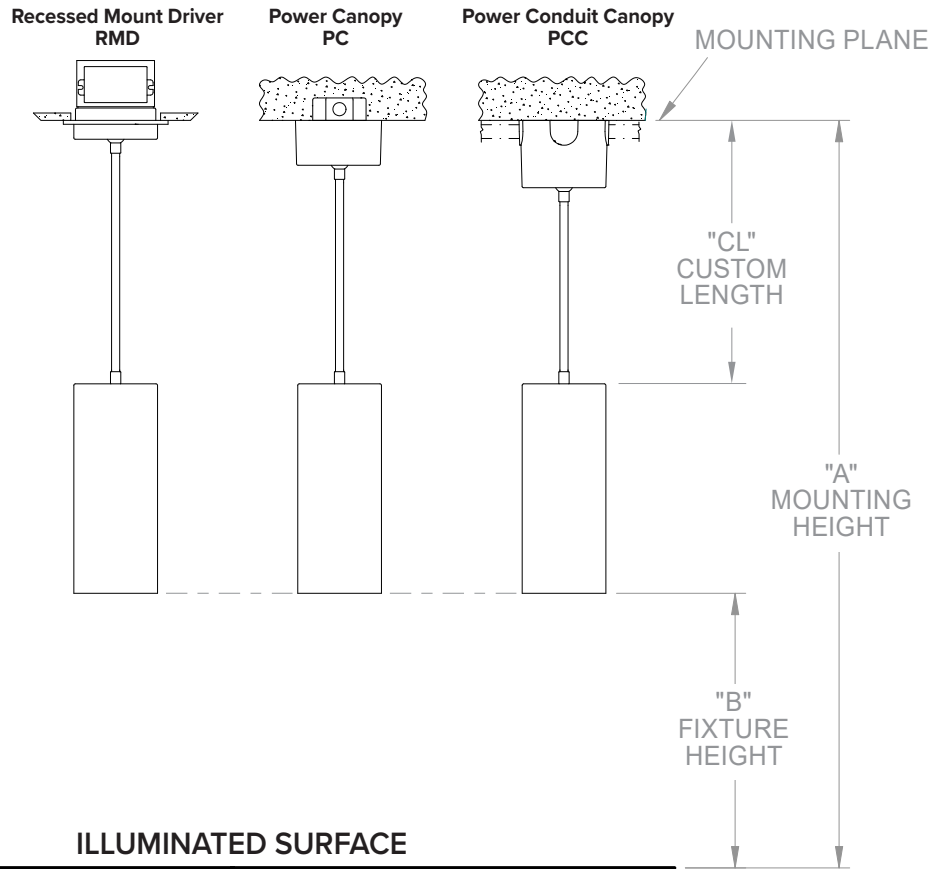
Pendant Power Canopy PPC



Pendant Power Conduit Canopy PPCC

DIMENSIONS

PENDANT CUSTOM LENGTH



Custom Length (CL) = Mounting Height (A) - Fixture Height (B) - 14" Cylinder

Ordering Example:

A (120") - B (72") - 14" = 34" Custom Length
LTC-4RD-P34

LTC-4RDWPH

LITEISTRY 4" ROUND CYLINDER WITH POWERHUB™

DATE: _____ LOCATION: _____

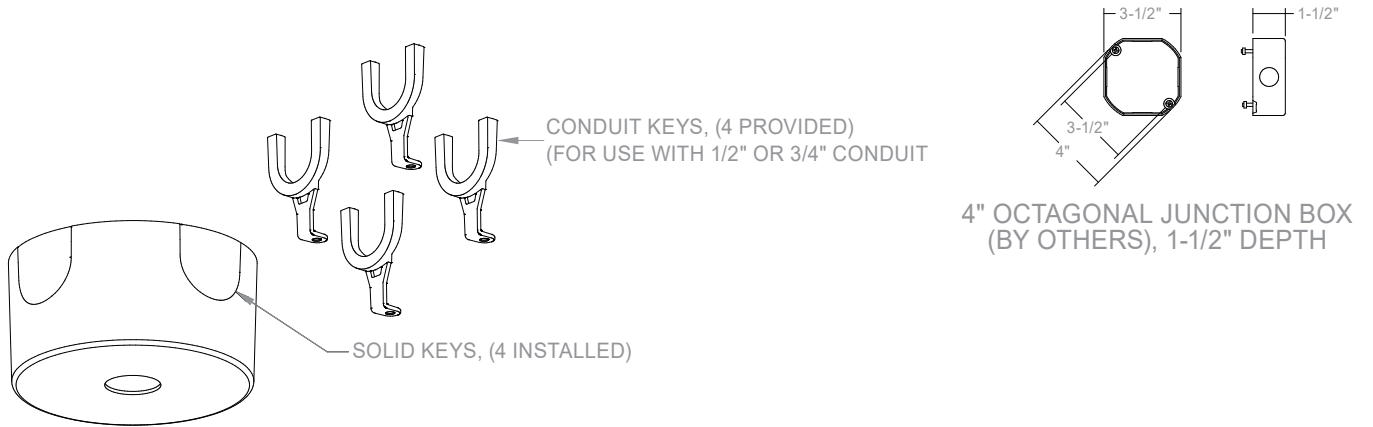
TYPE: _____ PROJECT: _____

CATALOG #: _____

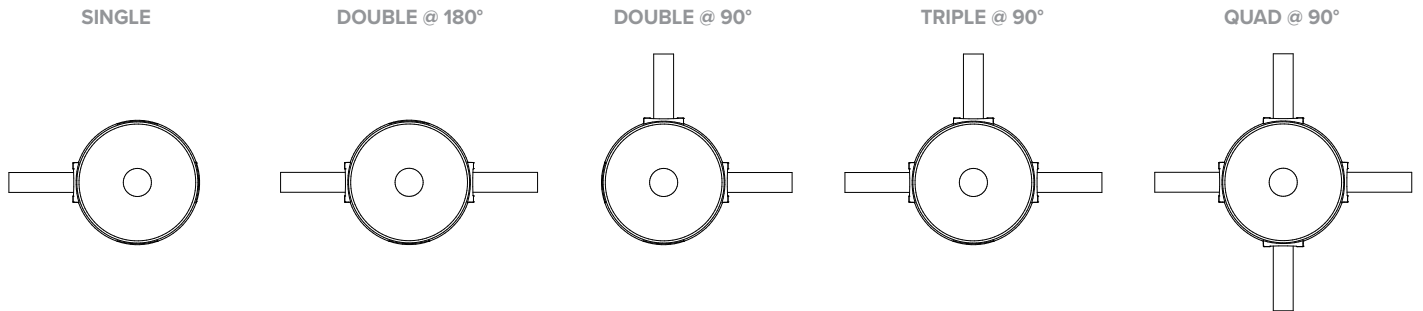
DIMENSIONS

CONDUIT CANOPY DETAILS

CC and PCC Conduit Canopy options come standard with (4) Solid Keys installed and (4) Conduit Keys provided.
Accommodates a 4" octagonal junction box with 1-1/2" depth (by others).



CONDUIT MOUNTING EXAMPLES - FIELD INTERCHANGEABLE



LTC-4RDWPH

LITEISTRY 4" ROUND CYLINDER WITH POWERHUB™

PHOTOMETRY

LTC-4RDPH-P-20L35K8VNR-PMC-S-BL

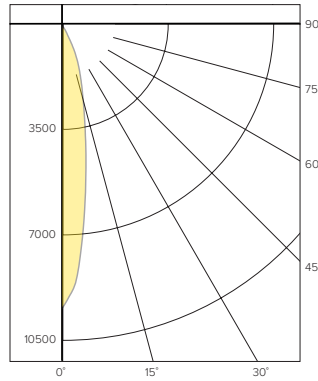
LUMINAIRE DATA

Test No.	R20.01331-C02
Description	2000 lm, Very Narrow, 3500K, 80 CRI
Delivered Lumens	2032
Watts	22.4W
Efficacy	91
Mounting	Pendant
Spacing Criterion	0.3
Beam Angle (FWHM)	20

ZONAL LUMEN SUMMARY

Zone	Lumens	% Luminaire
0-40	2011	99.0
0-60	2032	100.0
0-90	2032	100.0
0-180	2032	100.0

POLAR GRAPH



CANDELA DISTRIBUTION

Degree	Candela
0	9388
5	7360
15	2780
25	1073
35	198
45	20
55	0
65	0
75	0
85	0
90	0

LUMINANCE DATA*

Vertical Angle	Average
45°	3489
55°	0
65°	0
75°	0
85°	0

*Candela/Square Meter

LTC-4RDPH-P-20L35K8NR-PMC-S-BL

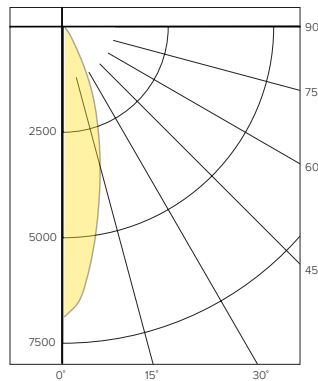
LUMINAIRE DATA

Test No.	R19.00532-02
Description	2000 lm, Narrow, 3500K, 80 CRI
Delivered Lumens	2238
Watts	22.5W
Efficacy	99.3
Mounting	Pendant
Spacing Criterion	0.4
Beam Angle (FWHM)	29

ZONAL LUMEN SUMMARY

Zone	Lumens	% Luminaire
0-40	2208	98.6
0-60	2237	99.9
0-90	2238	100.0
0-180	2238	100.0

POLAR GRAPH



CANDELA DISTRIBUTION

Degree	Candela
0	6877
5	6035
15	3284
25	1313
35	260
45	26
55	3
65	1
75	0
85	0
90	0

LUMINANCE DATA*

Vertical Angle	Average
45°	4535
55°	645
65°	292
75°	0
85°	0

*Candela/Square Meter

LTC-4RDPH-P-20L35K8MD-PMC-S-BL

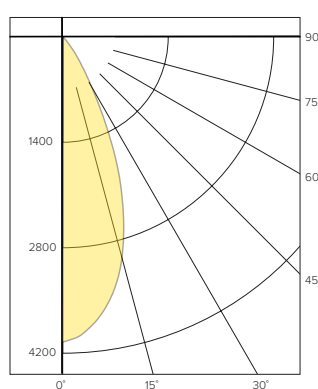
LUMINAIRE DATA

Test No.	R19.00533-02
Description	2000 lm, Medium, 3500K, 80 CRI
Delivered Lumens	2152
Watts	22.5W
Efficacy	95.6
Mounting	Pendant
Spacing Criterion	0.7
Beam Angle (FWHM)	44

ZONAL LUMEN SUMMARY

Zone	Lumens	% Luminaire
0-40	2113	98.2
0-60	2151	99.9
0-90	2152	100.0
0-180	2152	100.0

POLAR GRAPH



CANDELA DISTRIBUTION

Degree	Candela
0	4053
5	3893
15	3037
25	1493
35	366
45	34
55	3
65	1
75	0
85	0
90	0

LUMINANCE DATA*

Vertical Angle	Average
45°	5931
55°	645
65°	292
75°	0
85°	0

*Candela/Square Meter

LTC-4RDWPH

LITEISTRY 4" ROUND CYLINDER WITH POWERHUB™

PHOTOMETRY CONTINUED

LTC-4RDPH-P-20L35K8WD-PMC-S-BL

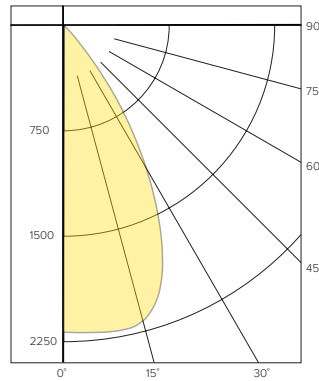
LUMINAIRE DATA

Test No.	R19.00534-02
Description	2000 lm, Wide, 3500K, 80 CRI
Delivered Lumens	2059
Watts	22.5W
Efficacy	91.6
Mounting	Pendant
Spacing Criterion	0.9
Beam Angle (FWHM)	61

ZONAL LUMEN SUMMARY

Zone	Lumens	% Luminaire
0-40	1983	96.3
0-60	2056	99.8
0-90	2059	100.0
0-180	2059	100.0

POLAR GRAPH



CANDELA DISTRIBUTION

Degree	Candela
0	2201
5	2210
15	2051
25	1504
35	692
45	169
55	10
65	3
75	1
85	0
90	0

LUMINANCE DATA*

Vertical Angle	Average
45°	1138
55°	1075
65°	584
75°	477
85°	0

*Candela/Square Meter

LTC-4RDPH-P-20L35K8XW-PMC-S-BL

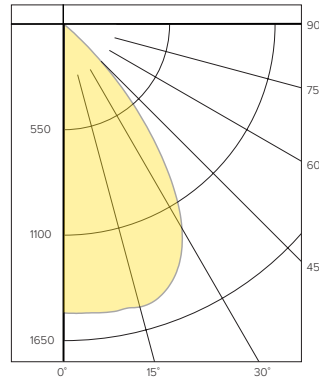
LUMINAIRE DATA

Test No.	R19.00535-02
Description	2000 lm, Extra Wide, 3500K, 80 CRI
Delivered Lumens	2028
Watts	22.5W
Efficacy	90.2
Mounting	Pendant
Spacing Criterion	1.2
Beam Angle (FWHM)	78

ZONAL LUMEN SUMMARY

Zone	Lumens	% Luminaire
0-40	1794	88.5
0-60	2025	99.8
0-90	2028	100.0
0-180	2028	100.0

POLAR GRAPH



CANDELA DISTRIBUTION

Degree	Candela
0	1235
5	1252
15	1392
25	1454
35	1010
45	256
55	6
65	2
75	1
85	0
90	0

LUMINANCE DATA*

Vertical Angle	Average
45°	44656
55°	1290
65°	584
75°	231
85°	477

*Candela/Square Meter

LUMEN MULTIPLIER

Option	27K8	30K8	35K8	40K8	50K8	27K9	30K9	35K9	40K9
Multiplier	0.94	0.98	1.00	1.01	1.02	0.81	0.84	0.85	0.85

Photometrics are published below at a nominal 3500 Kelvin, 80+ CRI. This table may be used to approximate the lumen values at different Kelvin temperatures. Power consumption would stay the same.

LTC-4RDWPH

LITEISTRY 4" ROUND CYLINDER WITH POWERHUBB™

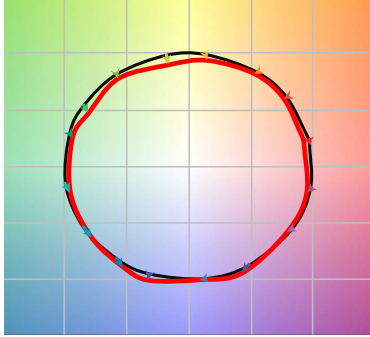
DATE: _____ LOCATION: _____

TYPE: _____ PROJECT: _____

CATALOG #: _____

TM-30 DATA

COLOR VECTOR GRAPHIC
3500K, 90 CRI



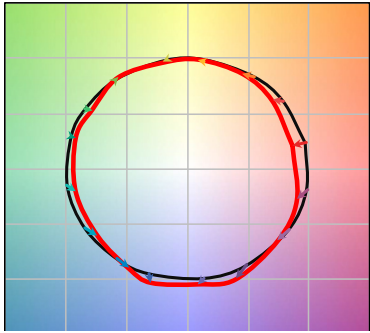
— Reference Illuminant — Test Source

COLOR DISTORTION GRAPHIC
3500K, 90 CRI



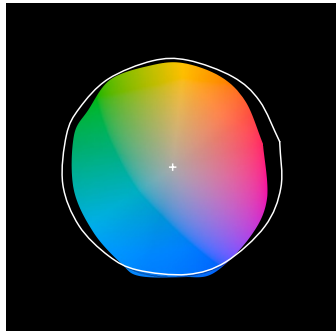
TEST RESULTS - 3500K		
Value	80+ CRI	90+ CRI
R _t	84	88
R _g	95	95
CCT (K)	3411	3419
D _{uv}	0.0015	0.0042
x	0.4120	0.4147
y	0.3974	0.4052
CIE R _a	84	93
CIE R _g	11	62

COLOR VECTOR GRAPHIC
3500K, 80 CRI



— Reference Illuminant — Test Source

COLOR DISTORTION GRAPHIC
3500K, 80 CRI



ELECTRICAL DATA

WATTAGE DATA		
Lumen Output	Nominal Lumens	Wattage
06L	600	8
10L	1000	12
15L	1500	19
20L	2000	23

* Wattage may vary based on configuration and options selected

ADDITIONAL INFORMATION

PowerHUBB™ POWERHUBB™
PoE LIGHTING & CONTROL

Hubbell Control Solutions' PowerHUBB™ is an enterprise-level Power over Ethernet (PoE) lighting and control platform that seamlessly integrates luminaires, sensors, user interfaces and software for a scalable intelligent building control solution.

See separate [PowerHUBB™ In-Fixture Solutions Guide](#) and [Hubbell Control Solutions PowerHUBB Brochure](#) for more details.

All product and company names, logos and product identifiers are trademarks ™ or registered trademarks ® of Hubbell Lighting, Inc. or their respective owners. Use of them does not necessarily imply any affiliation with or endorsement by such respective owners.